

**HERITAGE BOX
SASH WINDOW**

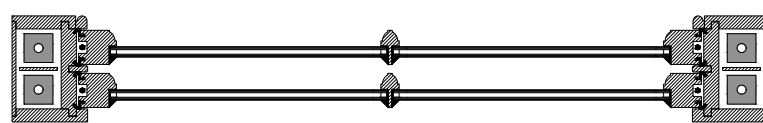
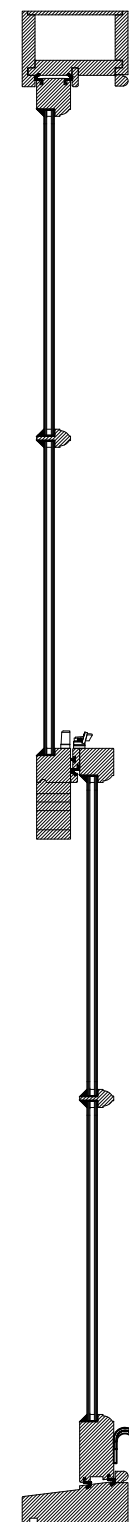
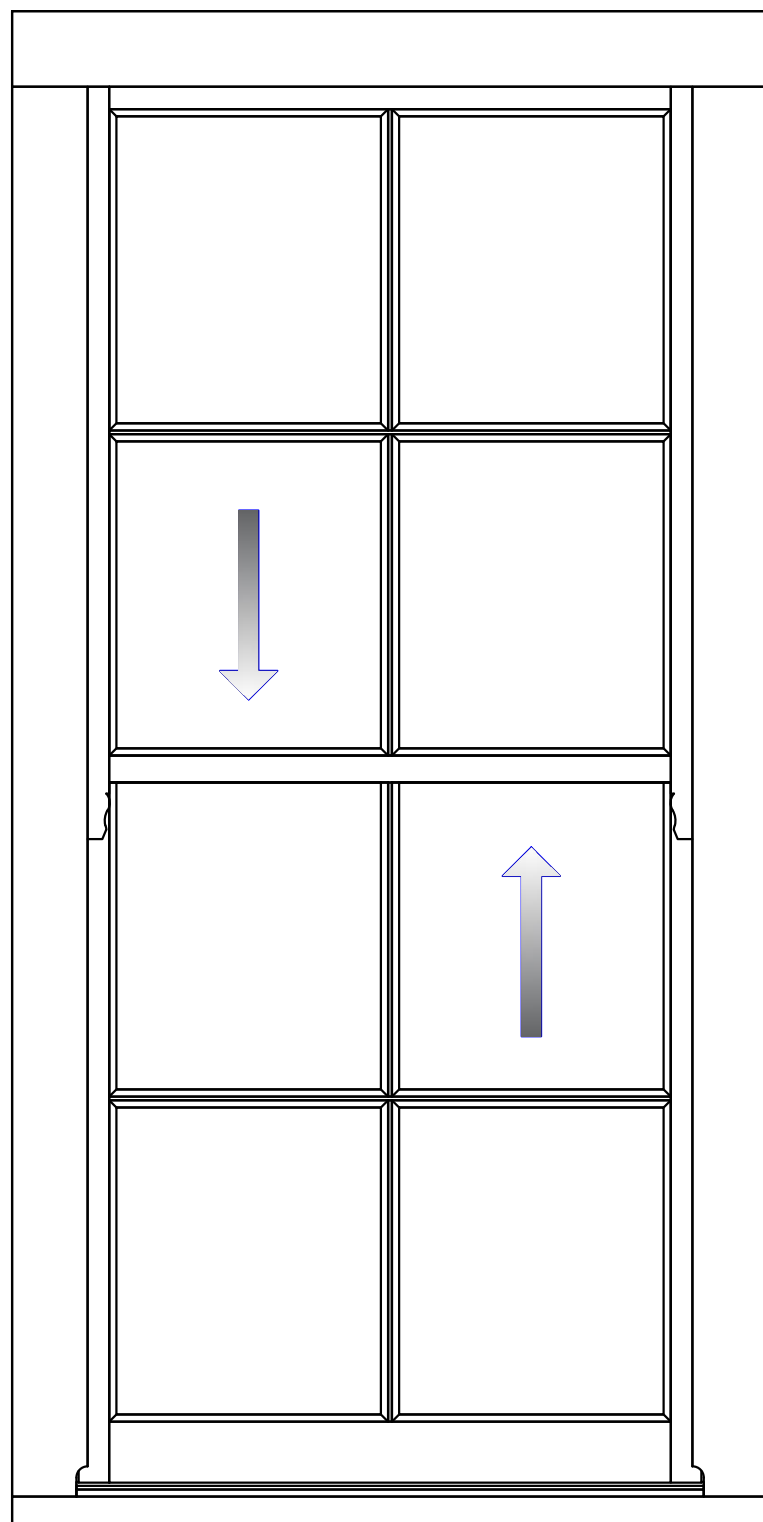
TITLE
ELEVATION DRAWING

DRAWING No.
HERITAGE-140/01

DATE	SCALE
2018/06/06	1:10 @ A3

CONSTRUCTION DETAILS

FENSTER UAB
Kirtimų 47, LT-02244,
Vilnius, Lithuania
Phone.: + 370 5 206 0987
Mob.: +370 682 01711
Fax.: +370 5 206 0986
E-mail: info@zylefenster.com
www.zylefenster.com



Material	Manufactured in selected engineered laminated pine or hardwood, sourced from sustainable and managed forestry (FSC or PFEC certified)
Mechanism	Sashes are hung on cords or chains, operating over pulleys and counter balanced with lead weights
Weatherseal	The window is fully weather sealed to BS EN 6375-1 2009
Glazing	Windows are glazed using Slim sealed units and traditionally sealed externally using a glazing compound
Glass	Slim dual sealed units complying with BS EN 1279 parts 1-6 up to 20mm thickness typically achieving a whole window Acoustic value up to 36dB noise reduction
Thermal Performance	Thermal performance is calculated by the standards of EN ISO 10077-1:2006 and typically this window achieves a U-value of 1.6 W/m ² K or better
Glazing Bars	Solid traditional framed glazing bars with individual glass units
Cills	Manufactured in Hardwood with options of cill projections.
Horns	Solid feature horns to top sashes are included as standard (See Drawing No H-001)
Fittings	A lockable Fitch fastener and two finger pulls to the bottom sash with options in colour and finish.
Ventilation	A controllable trickle ventilator can be fitted to the window dependant on width of frame (See Drawing No HERITAGE-140/06)
Restrictors	Restrictors which allows the opening of the sash to be restricted to 100mm is an option
Factory Finishing	To ensure the smooth operation and optimum performance of the window, we apply 3 coats of sprayed applied microporous water based paint system

HERITAGE BOX SASH WINDOW

TITLE

VERTICAL SECTION

DRAWING No.

HERITAGE-140/02.1

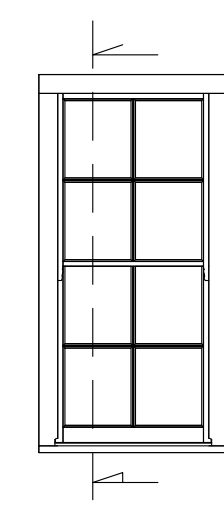
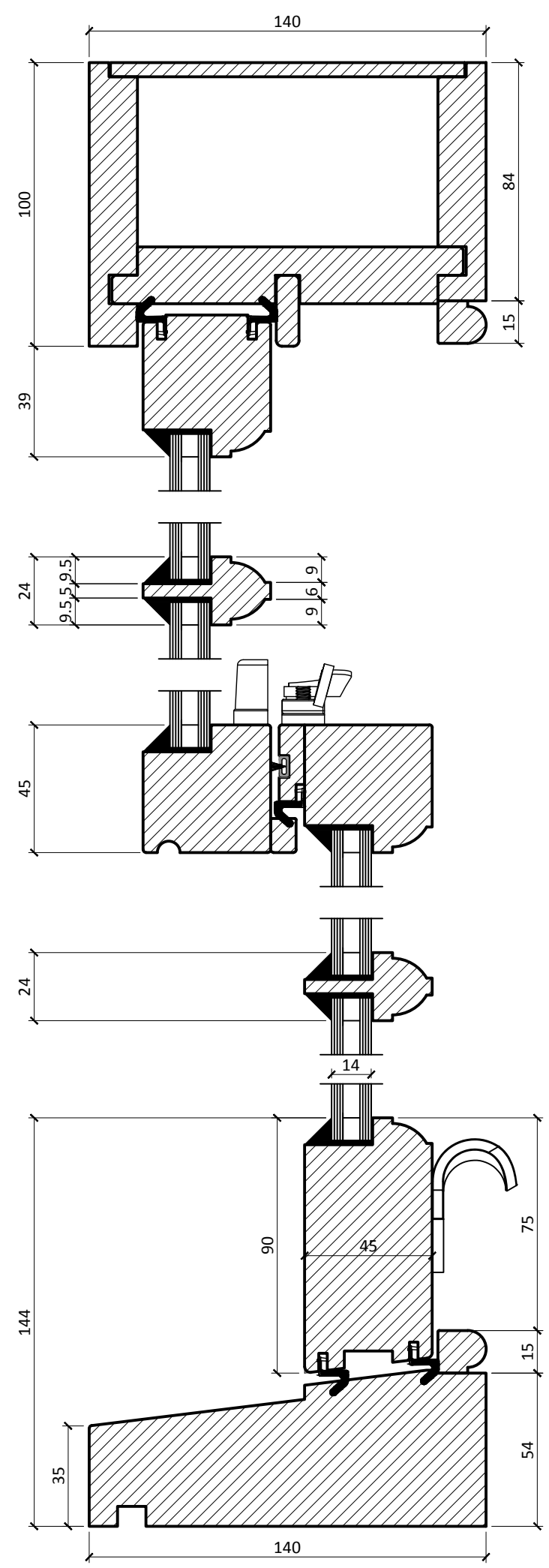
DATE

2018/06/06

SCALE

1:2 @ A3

CONSTRUCTION DETAILS



FENSTER UAB
 Kirtimų 47, LT-02244,
 Vilnius, Lithuania
 Phone.: + 370 5 206 0987
 Mob.: +370 682 01711
 Fax.: +370 5 206 0986
 E-mail: info@zylefenster.com
 www.zylefenster.com



**HERITAGE BOX
SASH WINDOW**

TITLE

HORIZONTAL SECTION

DRAWING No.

HERITAGE-140/03.1

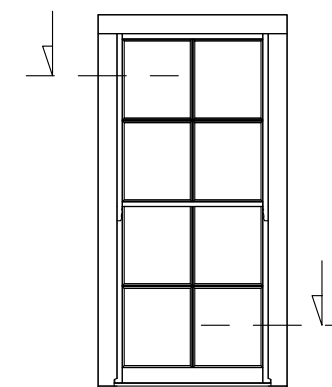
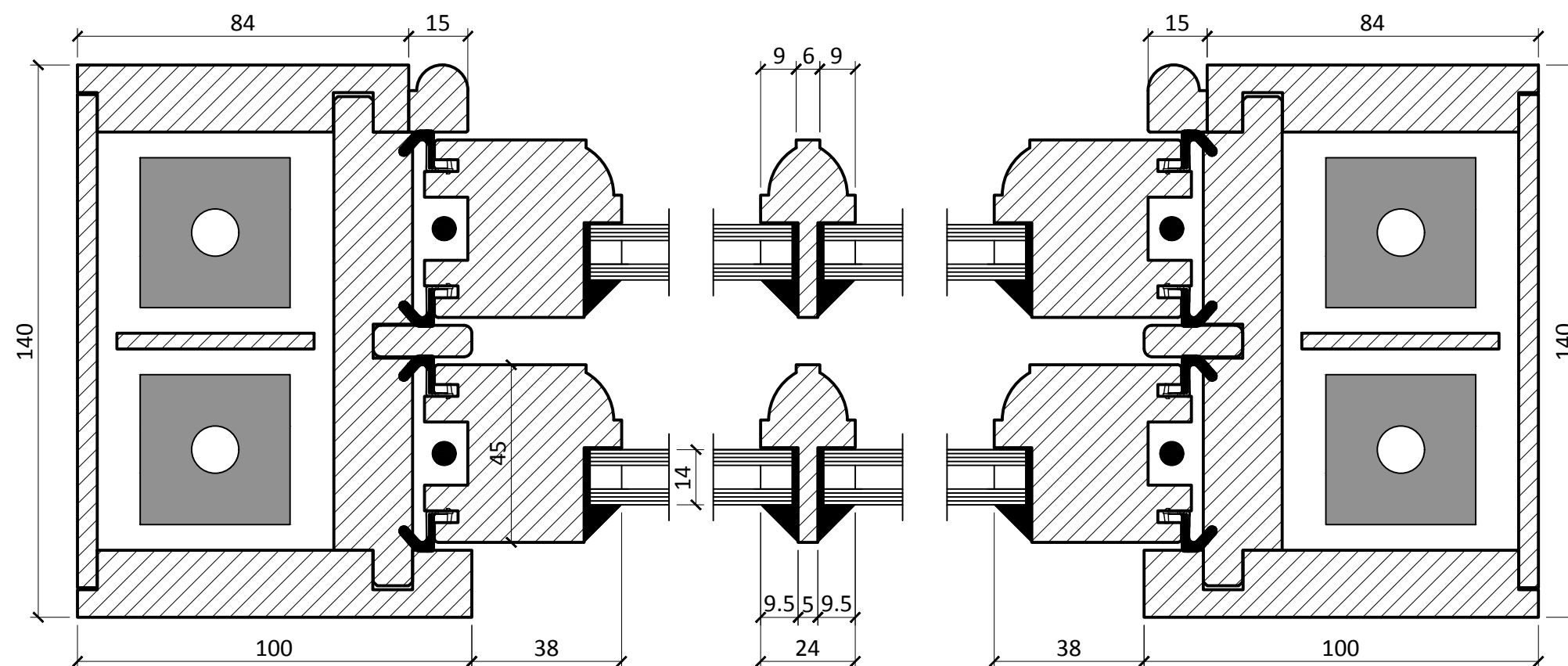
DATE

2018/06/06

SCALE

1:1.5 @ A3

CONSTRUCTION DETAILS



FENSTER UAB
Kirtimų 47, LT-02244,
Vilnius, Lithuania
Phone.: + 370 5 206 0987
Mob.: +370 682 01711
Fax.: +370 5 206 0986
E-mail: info@zylefenster.com
www.zylefenster.com



HERITAGE BOX SASH WINDOW

TITLE

MULLION DETAIL

DRAWING No.

HERITAGE-140/04.1

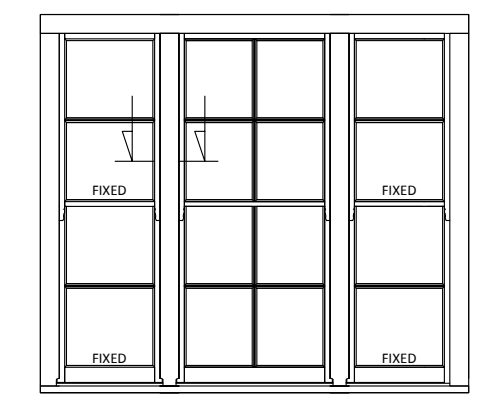
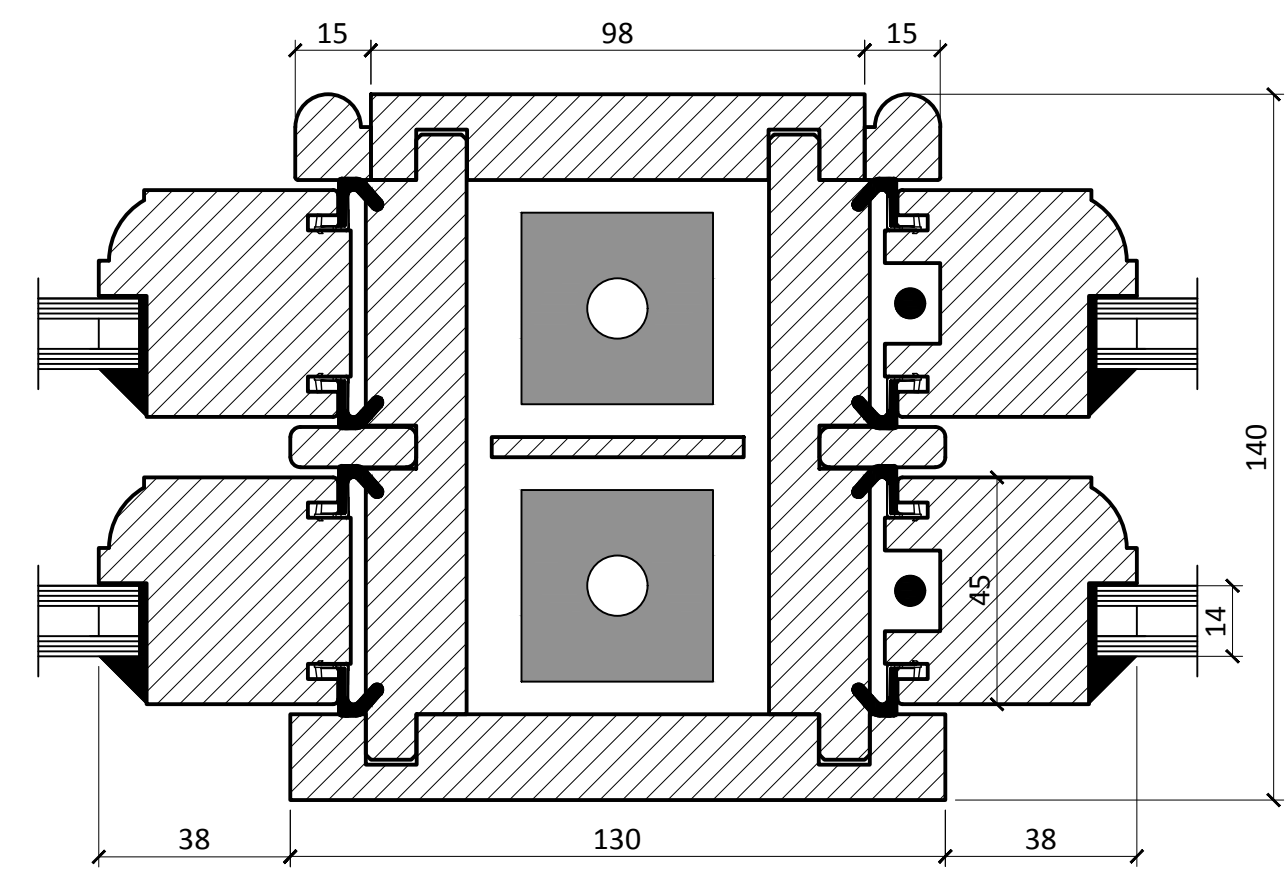
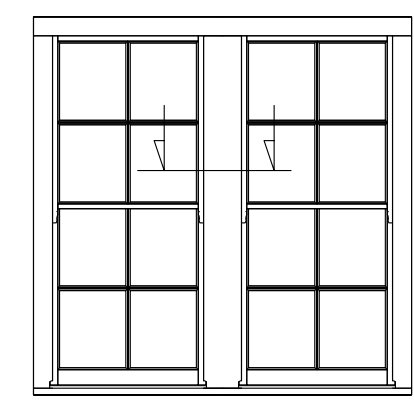
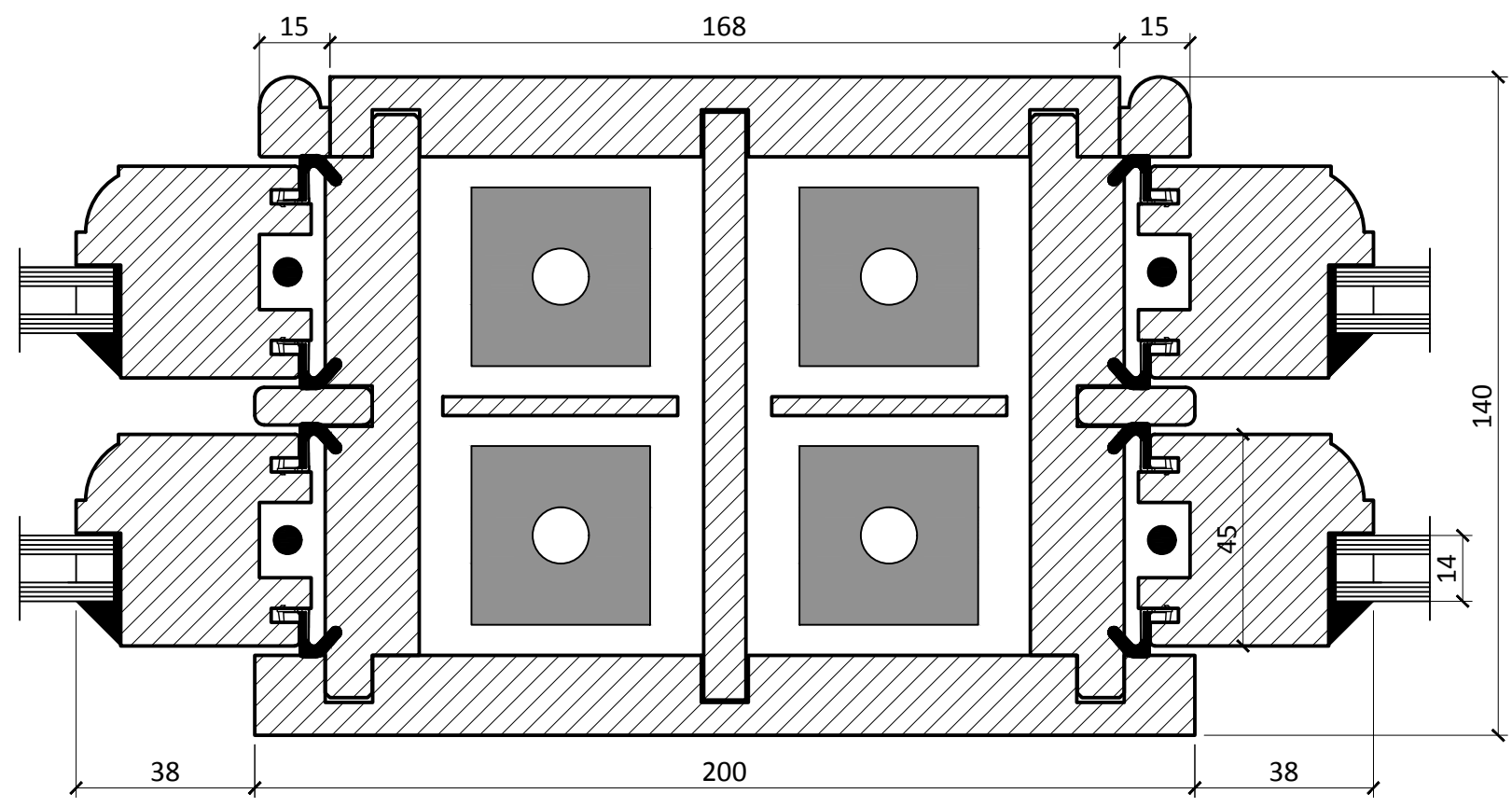
DATE

2018/06/06

SCALE

1:1.5 @ A3

CONSTRUCTION DETAILS

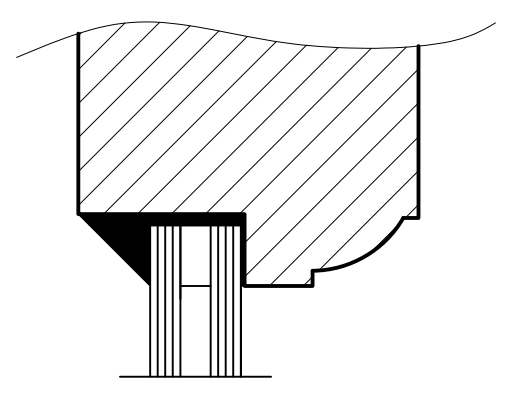


FENSTER UAB
 Kirtimų 47, LT-02244,
 Vilnius, Lithuania
 Phone.: + 370 5 206 0987
 Mob.: +370 682 01711
 Fax.: +370 5 206 0986
 E-mail: info@zylefenster.com
 www.zylefenster.com

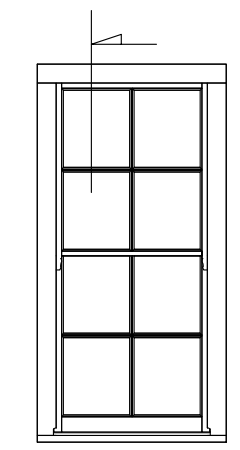
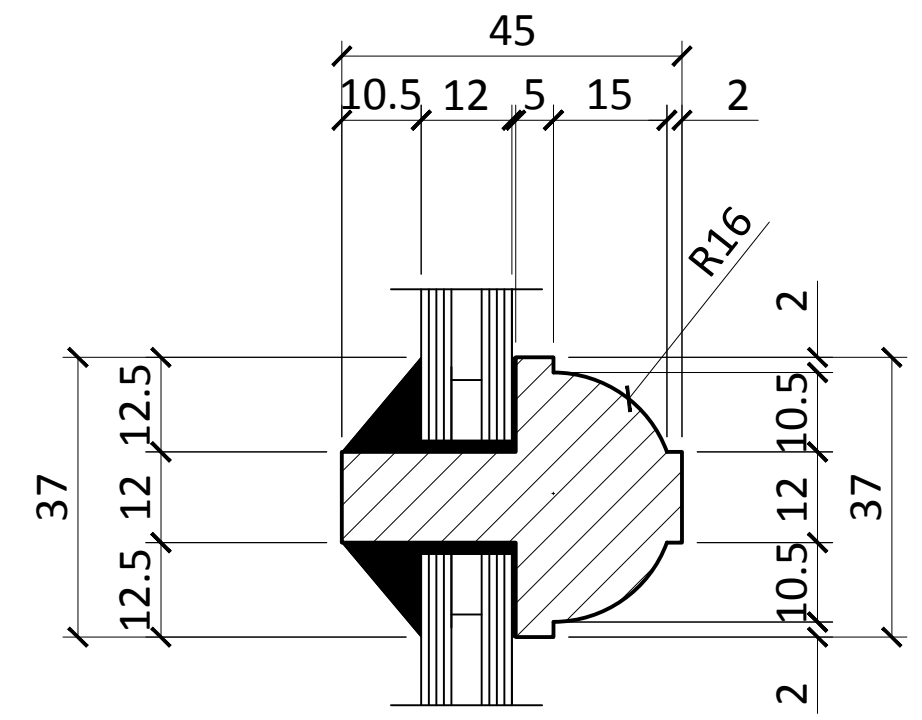
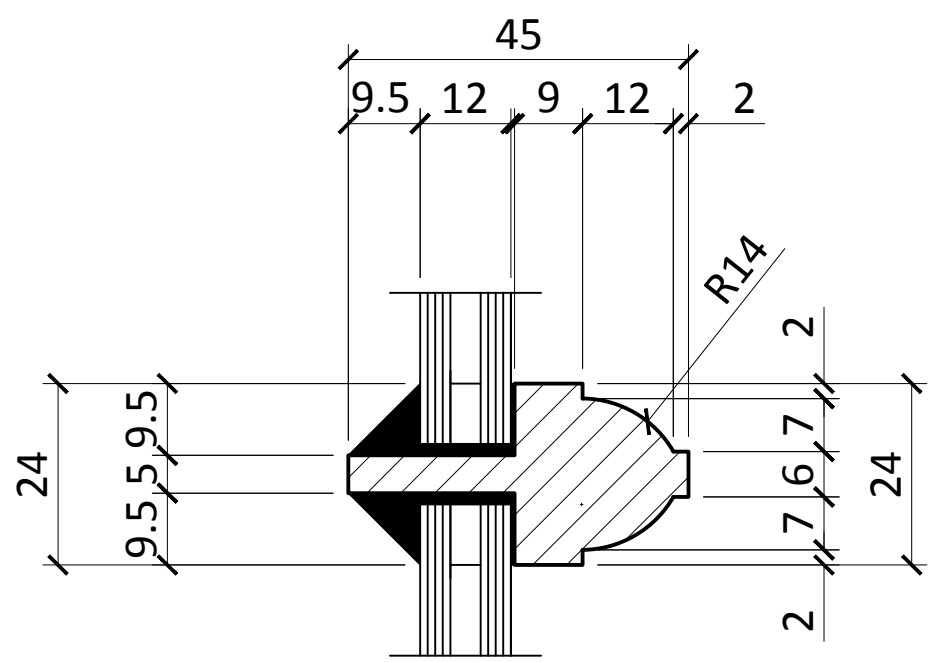
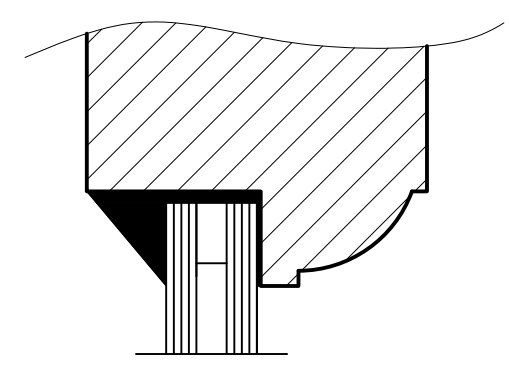


PRODUCT TYPE	
HERITAGE BOX SASH WINDOW	
TITLE	
SOLID BAR OPTIONS	
DRAWING No.	
HERITAGE-140/05	
DATE	SCALE
2018/06/06	1:1 @ A3
CONSTRUCTION DETAILS	

Standard solid bar



Optional solid bar



FENSTER UAB
 Kirtimų 47, LT-02244,
 Vilnius, Lithuania
 Phone.: + 370 5 206 0987
 Mob.: +370 682 01711
 Fax.: +370 5 206 0986
 E-mail: info@zylefenster.com
 www.zylefenster.com



HERITAGE BOX SASH WINDOW

TITLE

CILL EXTENSION OPTIONS

DRAWING No.

HERITAGE-140/06

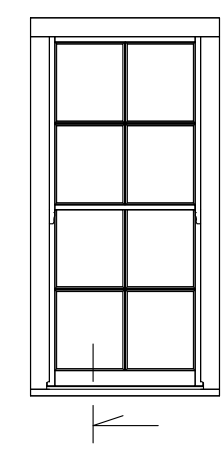
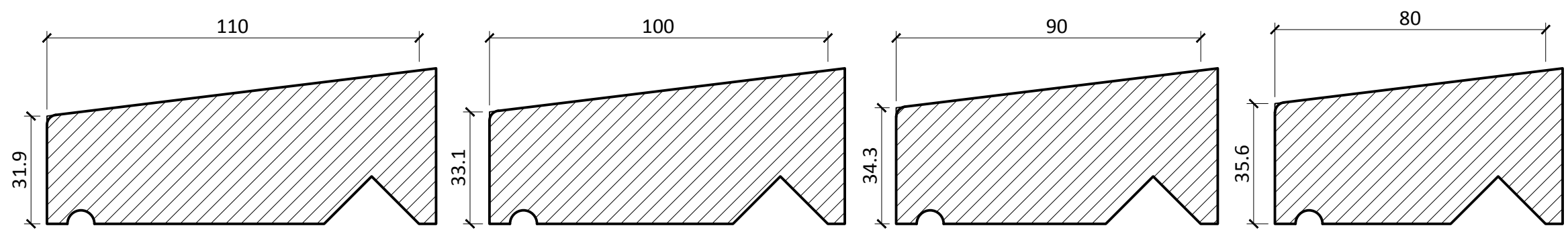
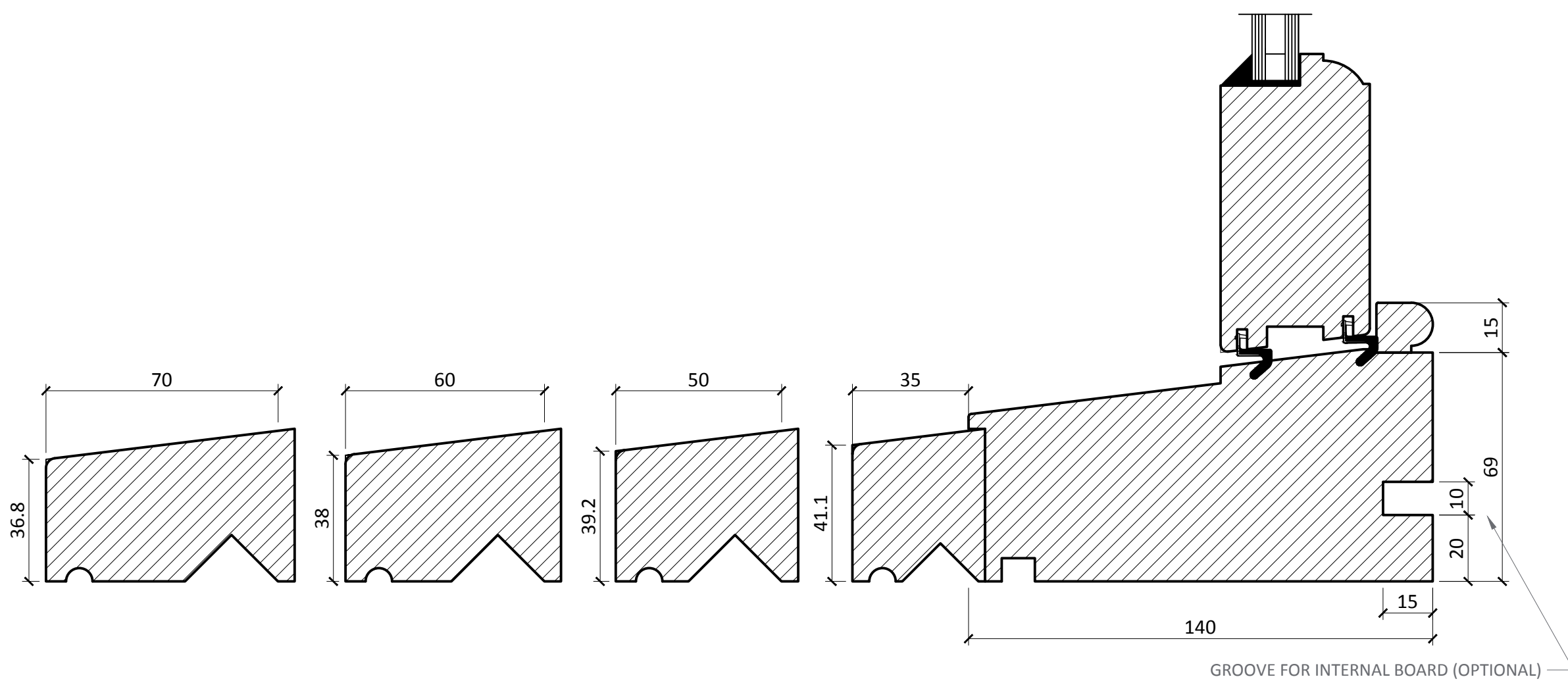
DATE

2018/06/06

SCALE

1:1.5 @ A3

CONSTRUCTION DETAILS



FENSTER UAB
 Kirtimų 47, LT-02244,
 Vilnius, Lithuania
 Phone.: + 370 5 206 0987
 Mob.: +370 682 01711
 Fax.: +370 5 206 0986
 E-mail: info@zylefenster.com
 www.zylefenster.com



HERITAGE BOX SASH WINDOW

TITLE

SASH HORN OPTIONS

DRAWING No.

H-001

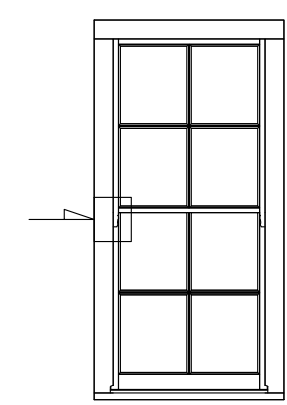
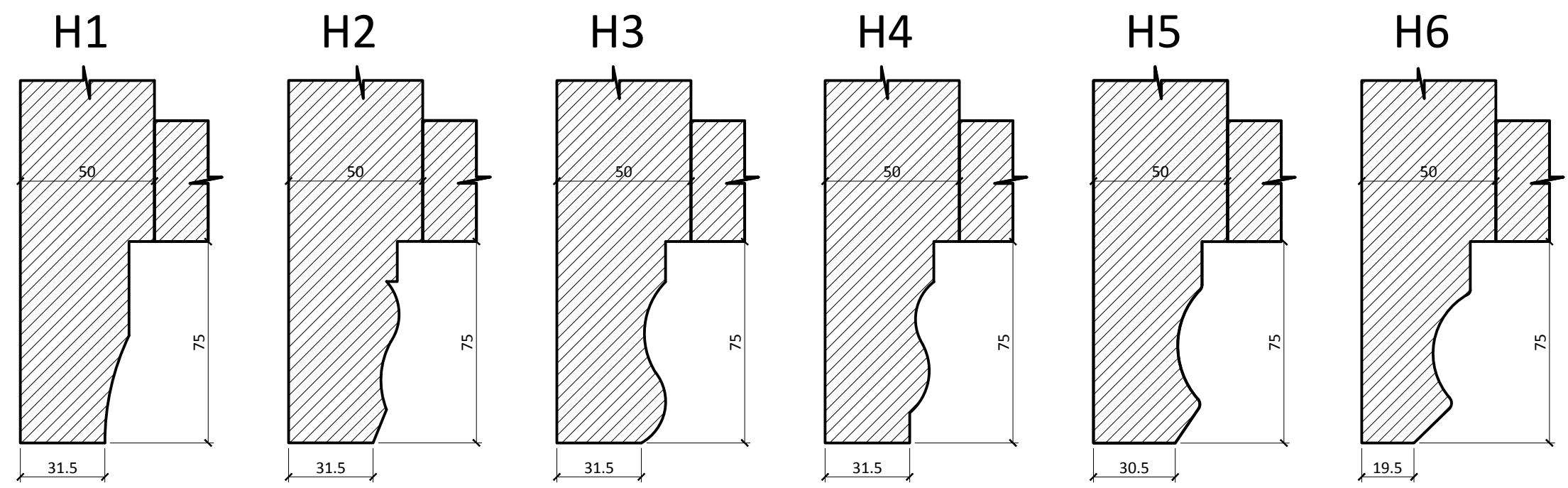
DATE

2018/06/06

SCALE

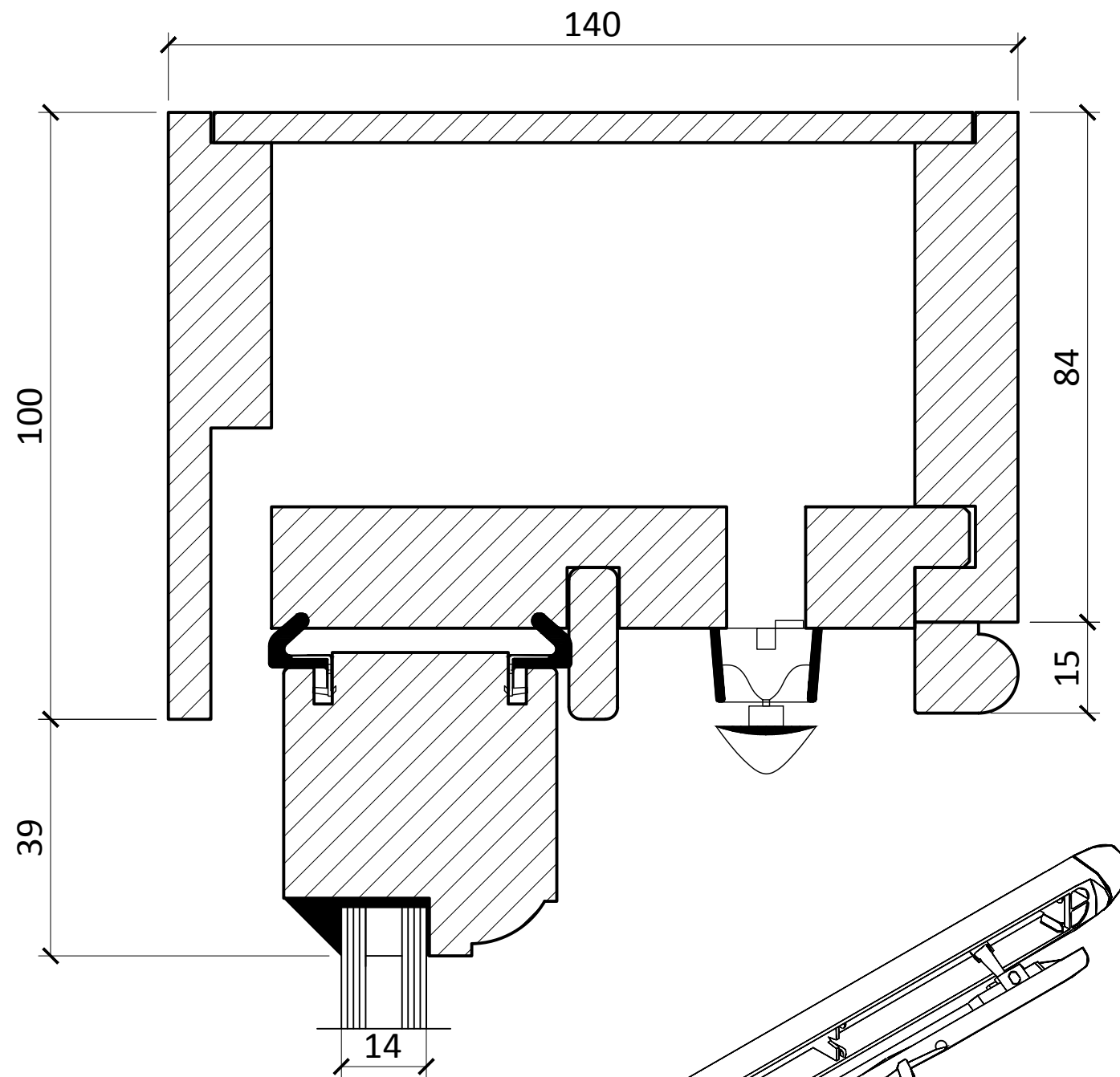
1:2 @ A3

CONSTRUCTION DETAILS



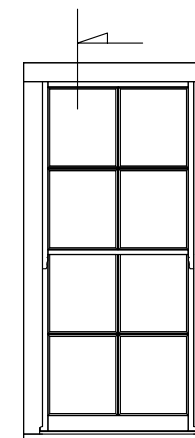
FENSTER UAB
 Kirtimų 47, LT-02244,
 Vilnius, Lithuania
 Phone.: + 370 5 206 0987
 Mob.: +370 682 01711
 Fax.: +370 5 206 0986
 E-mail: info@zylefenster.com
 www.zylefenster.com





TRICKLE VENT AVAILABLE IN DIFFERENT AIR FLOW VALUE, DEPENDING ON THE WINDOW WIDTH:

- * - 1700 mm² EA
- * - 4400 mm² EA
- * - 5000 mm² EA



PRODUCT TYPE	
HERITAGE BOX SASH WINDOW	
TITLE	
CONCEALED TRICKLE VENT	
DRAWING No.	
HERITAGE-140/07	
DATE	SCALE
2018/06/06	1:1 @ A3

CONSTRUCTION DETAILS

FENSTER UAB
 Kirtimų 47, LT-02244,
 Vilnius, Lithuania
 Phone.: + 370 5 206 0987
 Mob.: +370 682 01711
 Fax.: +370 5 206 0986
 E-mail: info@zylefenster.com
 www.zylefenster.com

